

Frigidaire

Factory Parts Catalog

Product No.	PLD2855RFC0
Series	Built-in 24"
Color	stainless
Owner's Guide English	154575701
Owner's Guide Spanish	154575703
Owner's Guide French	154575702
Service Data Sheet	154493101
Energy Guide	154540024
Installation Instructions	154427301
Market	North America

 **Electrolux**

Electrolux Major Appliances
North & Latin America
P.O. BOX 212378
AUGUSTA, GA 30917

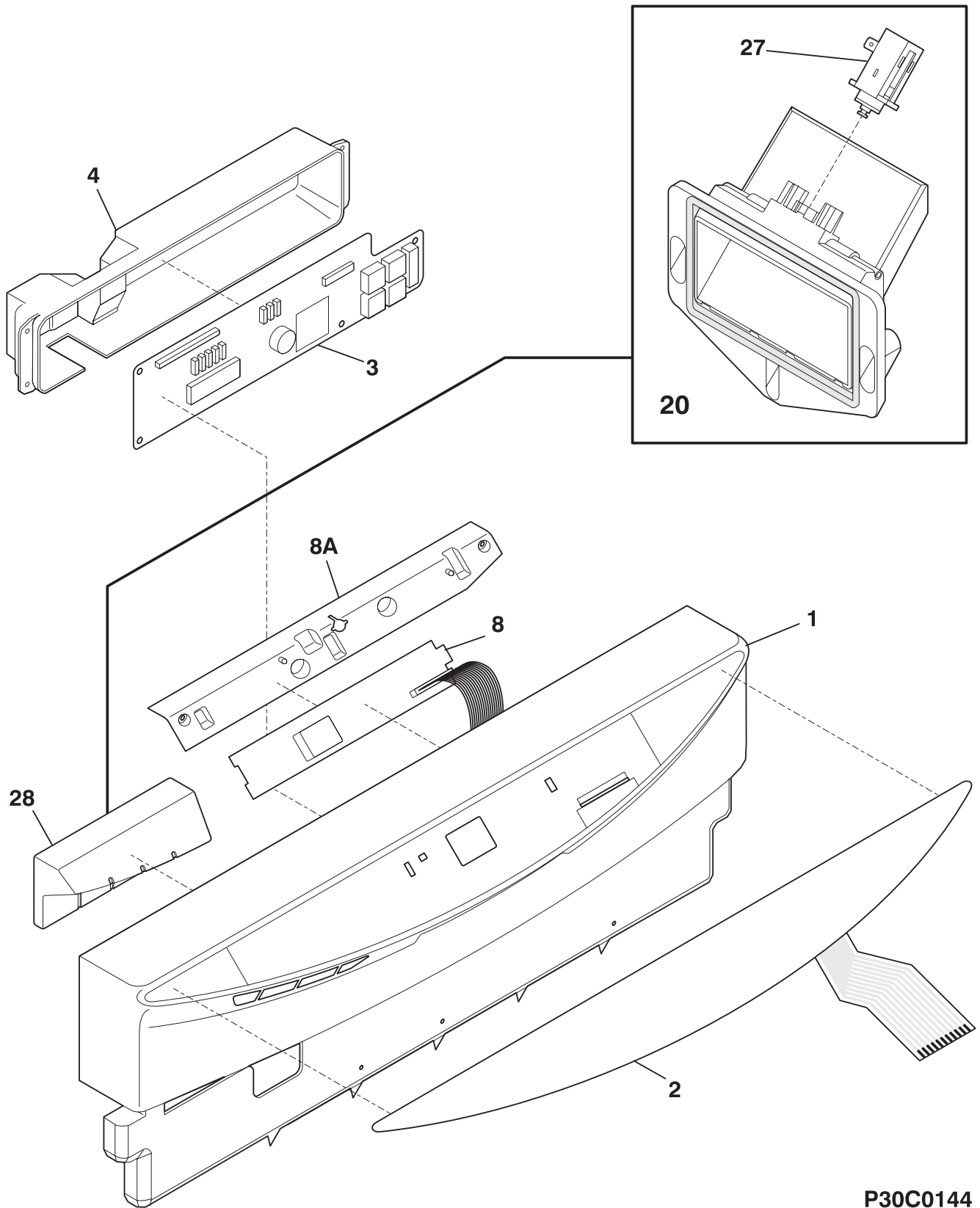
Publication No.
5995469292
06/07/20
(EN/SERVICE/ECL)
821

24-INCH BUILT-IN DISHWASHER

Model No.
PLD2855RF

Copyright © 2006 Electrolux Home Products, Inc.
All rights reserved.

CONTROL PANEL

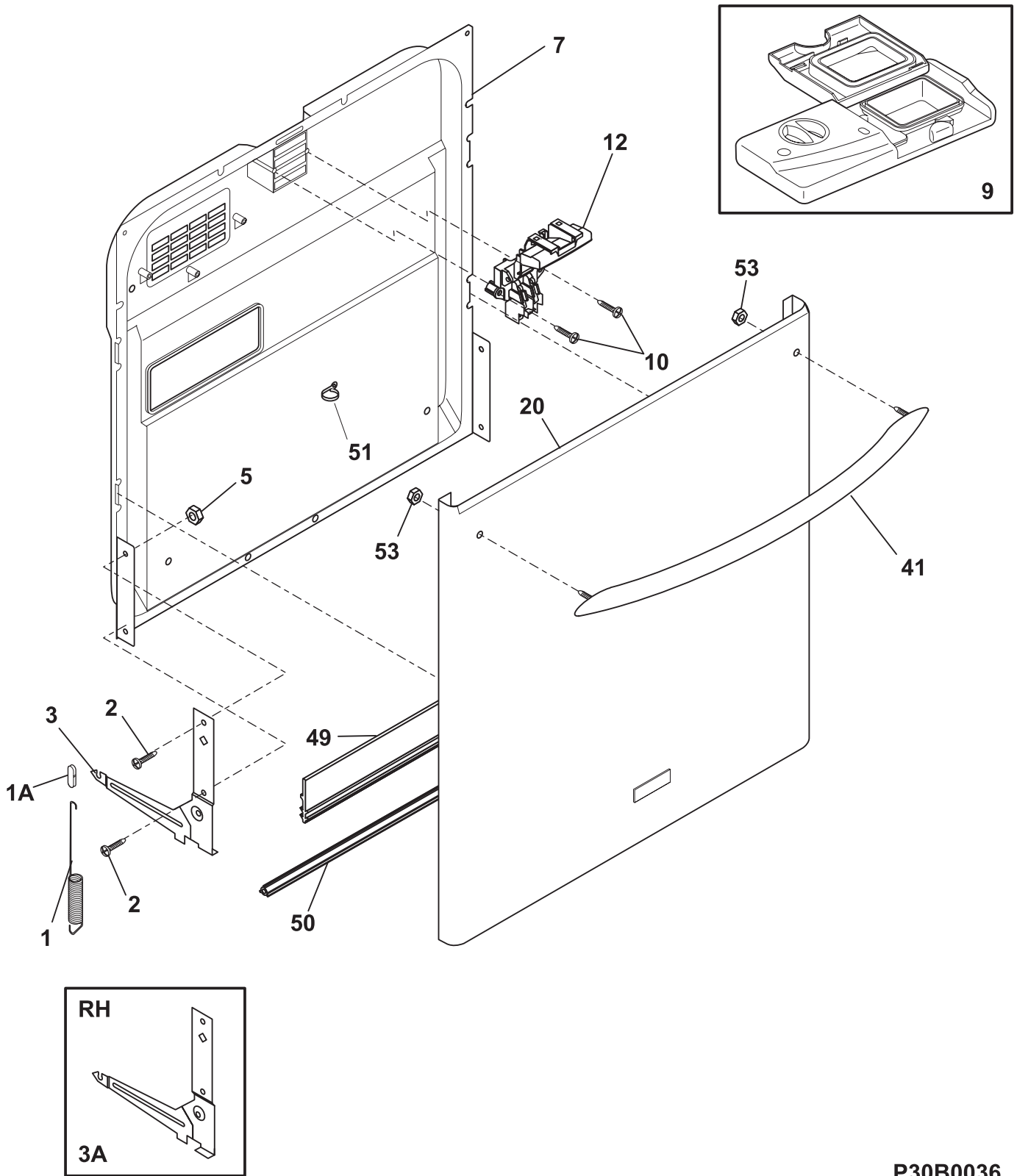


P30C0144

CONTROL PANEL

POS. NO	PART NO.	DESCRIPTION
1 #	154486103	Panel, control, black
2	154459903	Insert, control panel, black, w/12p switch
3	154555005	Board, control
3*	154200401	Screw, 6-10 x 3/8, pan plask
4	154554601	Cover, control
4*	154478901	Gasket, cover
8	154474801	Board, segment display
8*	5303318719	Screw, mtg.
8A	154486201	Shield, tactile switch
20	154423601	Vent assy, active dry, w/actuator
20*	154436201	Screw, dry duct, (3)
27	154433501	Actuator, active dry vent
28	154474401	Adapter, vent
*	154546901	Wiring Harness, main
*	154540024	Energy guide label

DOOR

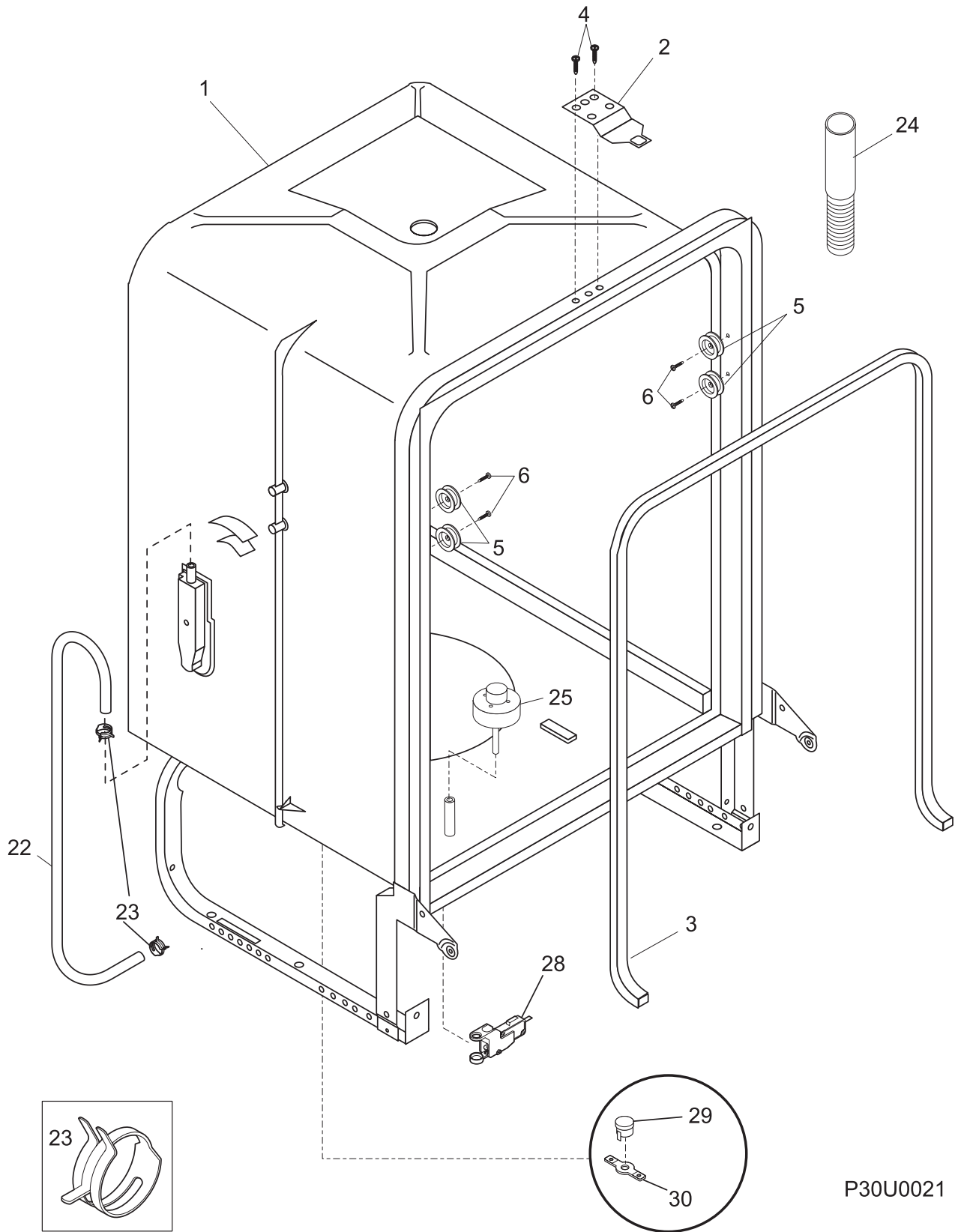


P30B0036

DOOR

POS. NO	PART NO.	DESCRIPTION
1	154430601	Spring, door, (2)
1A	154325201	Linkage, door spring, (2)
2	154093301	Screw, arm assy, (4)
3	154558103	Arm Assy, LH
3A	154558503	Arm Assy, RH
*	154529101	Pin, arm assy
5	154079601	Nut, arm assy, and handle mtg.
7	154494603	Liner, door assy., grey
9	154542104	Dispenser, det/rinse aid, w/read
9*	154294701	Screw, #7 plas .375, (6), disp. assy.
10	154103702	Screw, latch mtg. (2)
12 #	154529403	Latch assy, black
20	154533201	Door, stainless, w/badge
20*	154253201	Insulation, door
20*	5304428306	Screw, door mtg., (2)
41	154470405	Towel bar assy, stainless
49	154297603	Gasket, door, bottom
50	154211401	Support, door hinge
51	154320301	Clamp, drip loop, wire
53	154425001	Nut, Keps, (2), handle mtg.
*	154409401	Screw, #8-18 x .375

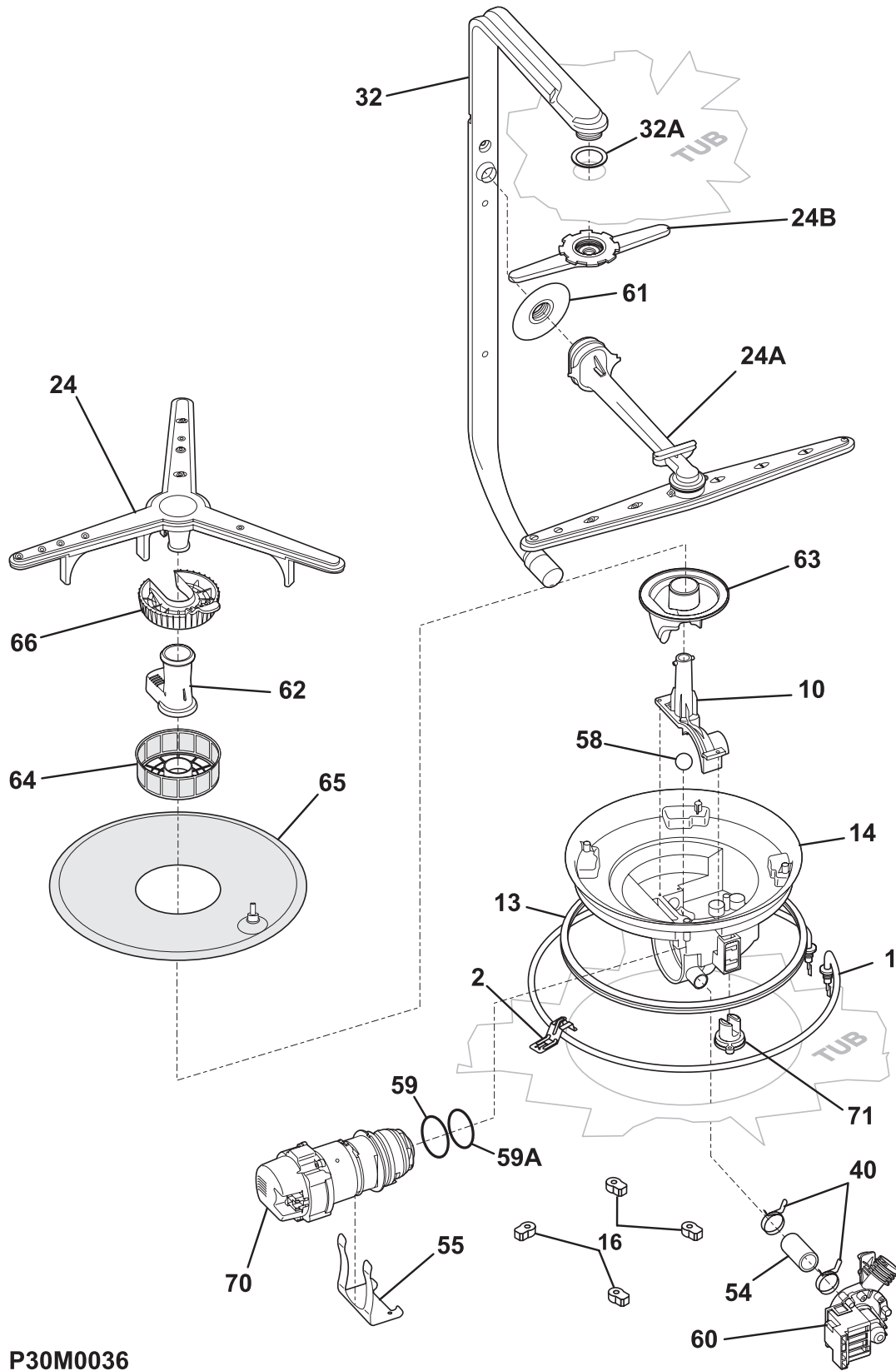
TUB



TUB

POS. NO	PART NO.	DESCRIPTION
1 #	154594101	Tub assy, w/frame parts
2	154429101	Strike, door
3 #	154561002	Gasket, tub
4	154200602	Screw, 10-16 x 3/8, hex
5	5304456938	Roller, tub, grey, (8), w/screw+washer
6	5303943103	Screw, w/washer, (8)
22	154446002	Tubing, water inlet
23	5303318539	Clamp, tubing, (2)
24 #	154525301	Hose, drain
25 #	154209702	Float, grey
28	154408701	Switch Assy, float
29 #	154290204	Thermostat, re-settable
30	154241101	Retainer, thermostat
30*	154297701	Screw, retainer-thermo
*	154447102	Insulation, blanket
*	154447301	Insulation, tub back
*	154041001	Screw, plask #1, 10-10 x 9/16
*	5300807270	Screw, (2), countertop mtg.

MOTOR & PUMP

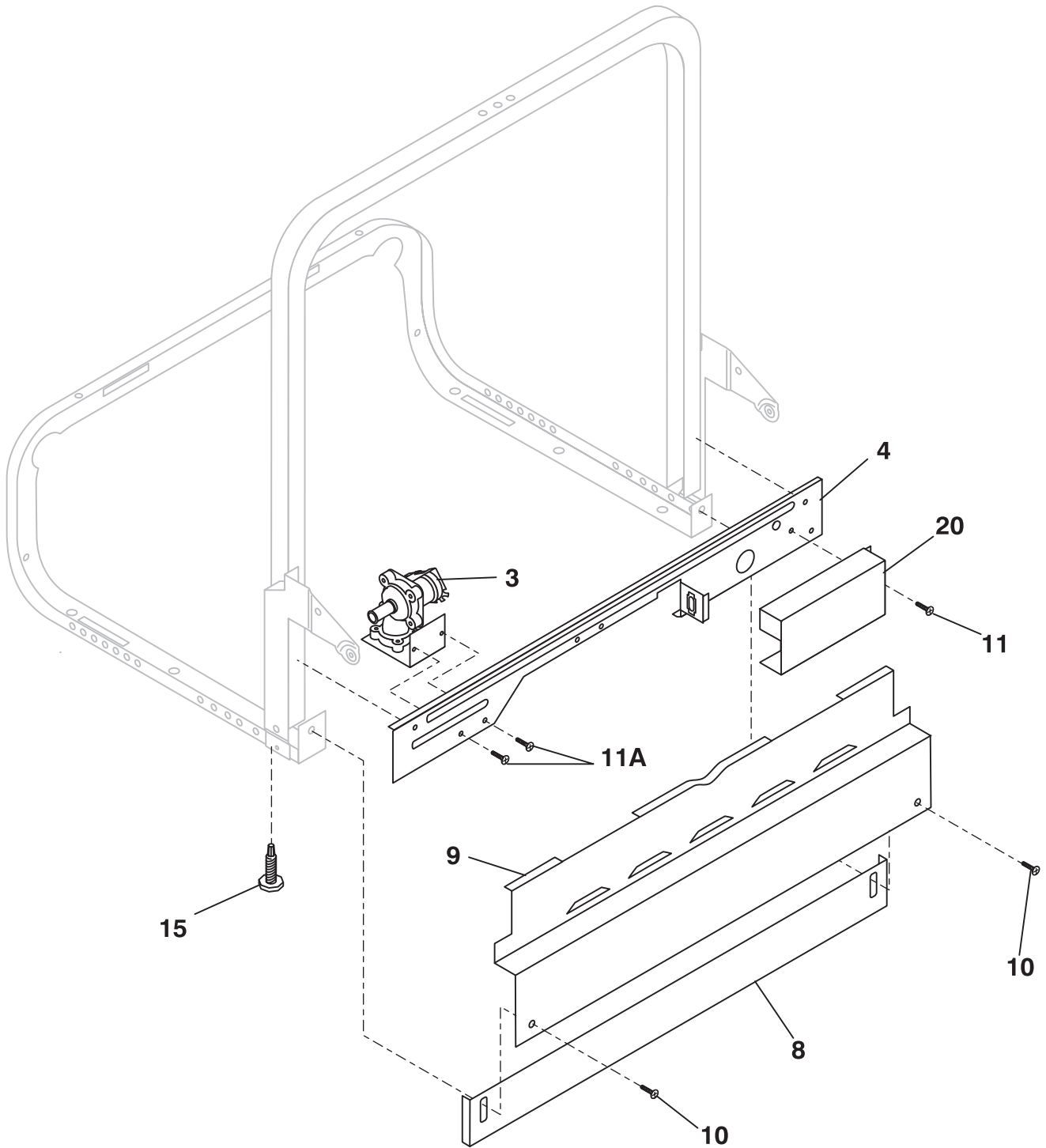


P30M0036

MOTOR & PUMP

POS. NO	PART NO.	DESCRIPTION
1 #	154482901	Heater, round
1*	154106201	Nut, heater, (2)
1*	154289801	Shield, heater terminal
2	154465101	Bracket, heater, (2)
10	154245501	Cover, volute
13	154246801	Gasket, sump
14	154461902	Housing, sump
16	154246502	Retainer, sump
24	154467702	Spray arm, grey, lower
24A	154468502	Spray arm, grey, center
24B	154478202	Spray arm, 3rd level, grey
32	154464101	Tube, delivery
32*	154491101	Screw, delivery tube
32A	154406401	Gasket, delivery tube
40	154106801	Clamp, hose, worm/drain
40*	154380601	Clamp, hose, worm/gear
54	154234401	Hose, connector
55	154362301	Bracket, motor
55*	5303316032	Screw, truss ss, 8 .625
58	154246402	Check ball
59	154246901	O-ring, rear
59A	154247001	O-ring, front
60	154491301	Pump, drain
60*	5303318719	Screw, mtg.
61	154463402	Grommet, delivery tube
62	154294102	Support, spray arm, grey, lower
63	154252201	Base, soil director
64	154252302	Filter, soil director, grey
65	154283005	Filter Assy, grey
66	154252702	Trap, glass, grey
70 #	154574701	Motor & Pump Assy
71 #	154473901	Sensor, turbidity
71*	154376001	O-ring, turbidity
*	154200601	Screw, #10-16 x 3/8

FRAME

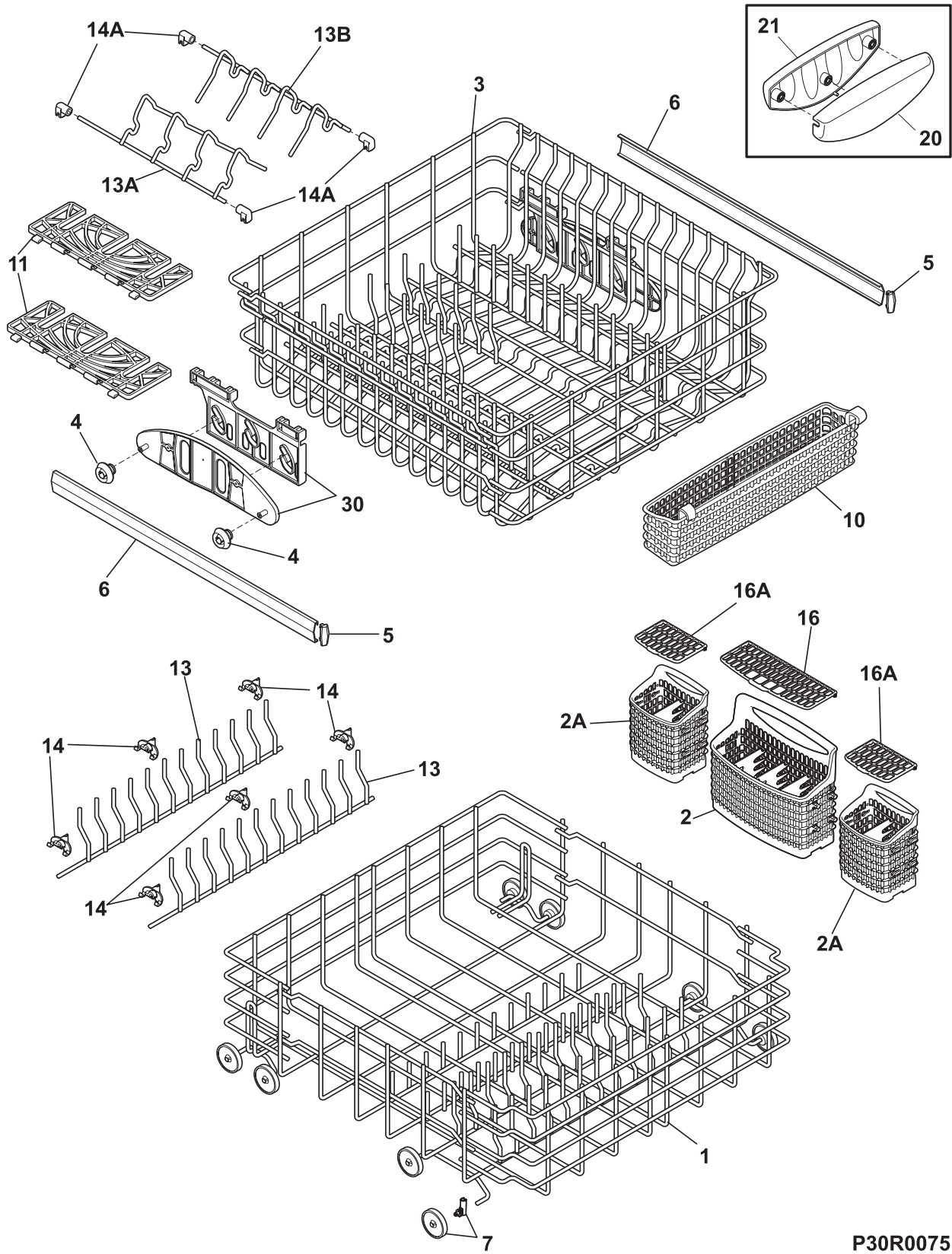


P30F0022

FRAME

POS. NO	PART NO.	DESCRIPTION
3 #	154476101	Valve, water
4	154208701	Brace, front frame
8	154589403	Toeplate, adjustable, black
9	154589503	Kickplate Assy, black
10	5300808658	Screw, #8A x .375", black
11	154200701	Screw, #10-32 x 3/8
11A	154200601	Screw, #10-16 x 3/8
15	154571101	Leg, leveling, (4)
20	154209601	Cover, junction box
*	154412301	Baffle, sound
*	154290101	Guard, sound baffle, wire
*	154290001	Insulation, sound baffle, side
*	154041001	Screw, plask #1, 10-10 x 9/16
*	154200602	Screw, 10-16 x 3/8, hex
*	154409401	Screw, #8-18 x .375

RACKS



P30R0075

RACKS

POS. NO	PART NO.	DESCRIPTION
1	154432604	Rack assy, lower, grey
2	154424002	Basket, silverware, grey, main
2A	154424102	Basket, silverware, grey, (2), side
3	154494404	Rack assy, upper, grey
4	154494502	Wheel assy., upper rack, (4)
5	5304440996	Cap, slide, grey, (4)
6	154232701	Slide, rack, (2)
7	154174503	Wheel & bracket assy, grey, lower rack, (8)
10	154466902	Basket, utility, grey
11	154436104	Shelf, cup, half width, grey
13	154425503	Fence, fold down, grey, lower rack, (2), full length
13A	154480403	Fence, multi, 4 wire, LH, upper rack
13B	154480503	Fence, multi, 4 wire, RH, upper rack
14	154428402	Bracket, fold down fence, grey, lower rack, (6)
14A	154242002	Bracket, multi fence, white, upper rack, (4)
14A*	154242102	Bushing, multi fence, upper rack, (4)
16	154424203	Cover, main basket, grey, silverware
16A	154424303	Cover, side basket, grey, (2), silverware
20	154530702	Handle, pull, grey, front, upper rack
21	154530902	Handle, pull, grey, rear, upper rack
30	154570402	Bracket, adjustment, LH, upper rack, assembly
30*	154570502	Bracket, adjustment, RH, upper rack, assembly